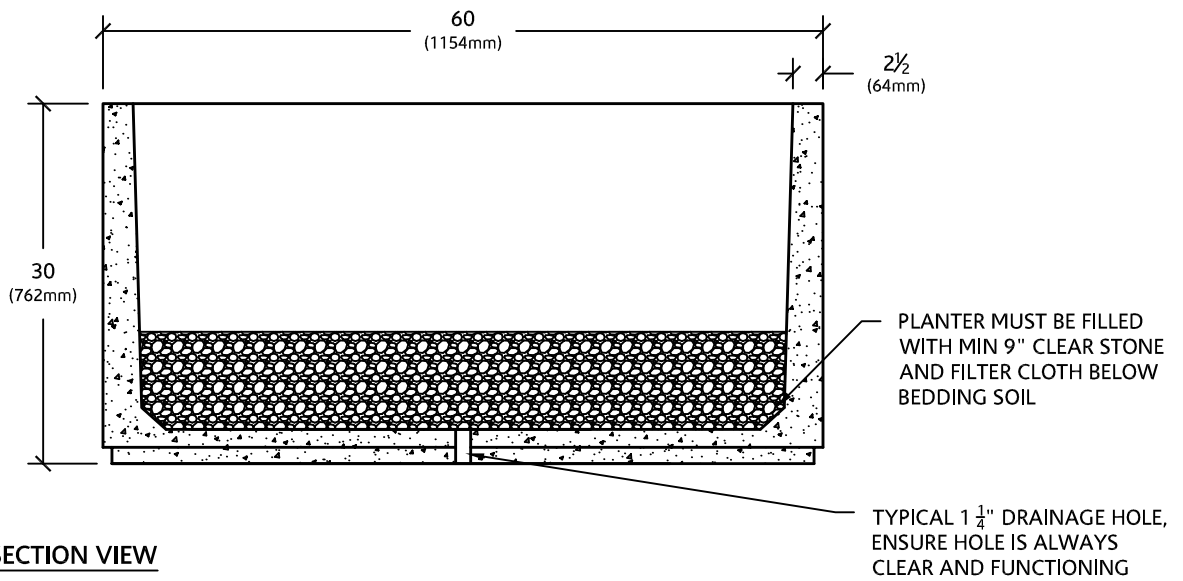


**PLAN VIEW**



**SECTION VIEW**

**NOTES:**

1. CONTRACTOR TO REFER TO ARCHITECTURAL SPECIFICATIONS FOR COLOUR, FINISH AND VALUE ADDED FEATURES
2. SUBMIT COLOUR AND FINISH SAMPLES FOR APPROVAL
3. WEIGHT OF SQUARE SQ166030 PLANTER - 1200 lbs



**SQUARE PLANTER**

**SQ166030**

ED'S CONCRETE PRODUCTS  
 1266 ERIE STREET  
 STRATFORD, ONTARIO  
 N4Z 0A1

1-877-265-6590  
[www.edskoncrete.com](http://www.edskoncrete.com)  
[info@edskoncrete.com](mailto:info@edskoncrete.com)

