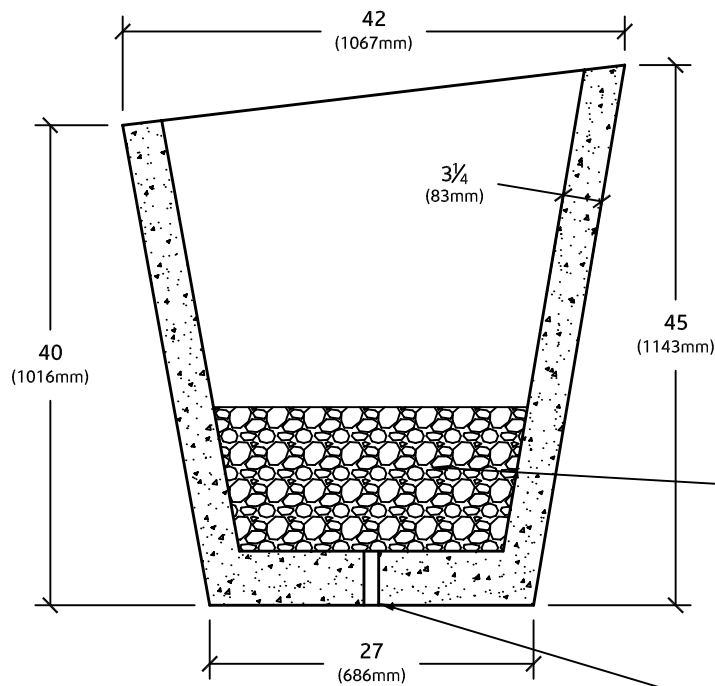


**PLAN VIEW**



**SECTION VIEW**

**NOTES:**

1. CONTRACTOR TO REFER TO ALL ARCHITECTURAL SPECIFICATIONS FOR COLOUR, FINISH AND VALUE ADDED FEATURES
2. SUBMIT COLOUR AND FINISH SAMPLES FOR APPROVAL
3. WEIGHT OF CONIA CO45 PLANTER - 1300 lbs

PLANTER MUST BE FILLED WITH MIN 10" CLEAR STONE AND FILTER CLOTH BELOW BEDDING SOIL

TYPICAL 1 1/4" DRAINAGE HOLE, ENSURE HOLE IS ALWAYS CLEAR AND FUNCTIONING



**CONIA PLANTER**

**CO45**

ED'S CONCRETE PRODUCTS  
1266 ERIE STREET  
STRATFORD, ONTARIO  
N4Z 0A1

1-877-265-6590  
www.edsconcrete.com  
info@edsconcrete.com

