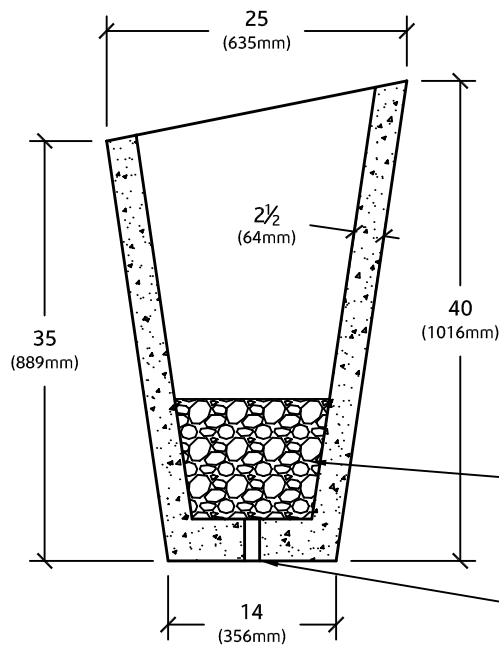


TYPICAL CAST IN 1 1/4" DRAINAGE HOLE

PLAN VIEW



PLANTER MUST BE FILLED WITH MIN 10" CLEAR STONE AND FILTER CLOTH BELOW BEDDING SOIL

TYPICAL 1 1/4" DRAINAGE HOLE, ENSURE HOLE IS ALWAYS CLEAR AND FUNCTIONING

SECTION VIEW

NOTES:

1. CONTRACTOR TO REFER TO ARCHITECTURAL SPECIFICATIONS FOR COLOUR, FINISH AND VALUE ADDED FEATURES
2. SUBMIT COLOUR AND FINISH SAMPLES FOR APPROVAL
3. WEIGHT OF CONIA CO40 PLANTER - 430 lbs



CONIA PLANTER

CO40

ED'S CONCRETE PRODUCTS
1266 ERIE STREET
STRATFORD, ONTARIO
N4Z 0A1

1-877-265-6590
www.edsconcrete.com
info@edsconcrete.com

